

# Showcase Series™

42XR4, 50XR5 and 61XR4 digital plasma displays.



DIRECT SOURCE SELECT

ENHANCED PICTURE IN PICTURE

LONG LIFE > 60,000 HOURS

HDMI INPUTS

DESIGNED FOR ISF CALIBRATION

Designed to fit seamlessly into your home, NEC's residential entertainment plasma displays deliver crystal clear images every time.

## CRYSTAL CLEAR IMAGES EVERY TIME.

- **Crystal Clear Panel/Drive** provides technology to improve brightness 130% and contrast 100% over previous models and also removes false contouring (42XR4 only).
- **Capsulated Color Filter (CCF) and AccuCrimson Filter** technology produces the truest most vivid real to life colors (50XR5 and 61XR4).
- **Bonded Color Filter** technology that improves color, bright room contrast and sharpness while reducing the multiple image reflections possible with traditional filter technologies (42XR4 only).
- **Enhanced Motion Adaptive 3D Scan Conversion** provides error free interpolation for moving video resulting in a smooth image with greater detail.
- **Enhanced Mass Area Superior Sampling** accurately reproduces diagonal and curved lines with less "jaggies" and also eliminates color bleeds.
- **Multi-Field Noise Reduction** improves the reduction in visible image noise by looking at multiple fields for an average instead of looking at one field.
- **Imaging Science Foundation (ISF)** certified calibration controls provide calibration settings for day and night viewing making sure your image is setup properly for all viewing conditions.
- **Color Tune Technology** allows you to adjust individual colors without affecting white balance.
- **Advanced AccuBlend™** converts non-native resolutions to the resolution of the display.
- **Enhanced Digital AccuDevice** allows for artifact and noise free video.
- **Gamma 12** provides the highest color processing in a plasma display at 68.7 billion colors (4096 steps) resulting in details in the dark areas like never seen before.

## DESIGNED SPECIFICALLY TO MEET THE CHANGING NEEDS AT HOME.

- **Complete Input Panel** including 2 HDMI w/HDCP (High-bandwidth Digital Content Protection) inputs providing the latest in digital connectivity.
- **IR Remote ID** select allowing units placed in close proximity with one another to have different IR transmissions so only one unit is controlled at a time.
- **Discrete input select** from IR remote.
- **IR Loop-through** provides flexibility through different remotes.
- **Wider signal support** including 1080p and High resolution PC signals.
- **Enhanced Split Screen/PIP** allowing different locations and sizes.
- **Complete RS-232 control** providing easy setup to control systems from AMX and Crestron.
- **Independent memory locations for each input** that keep picture and image settings stored. In addition 4 additional memory locations are available to store multiple sources connected to one input.
- **Sleep timer** for automatic shut off.
- **Quiet operation** (fan noise is only 22dB during normal operation).
- **Multiple aspect ratio control** allowing flexibility with today's many source choices.
- **NEC offers high altitude flexibility** as a standard feature (up to 9180 ft).

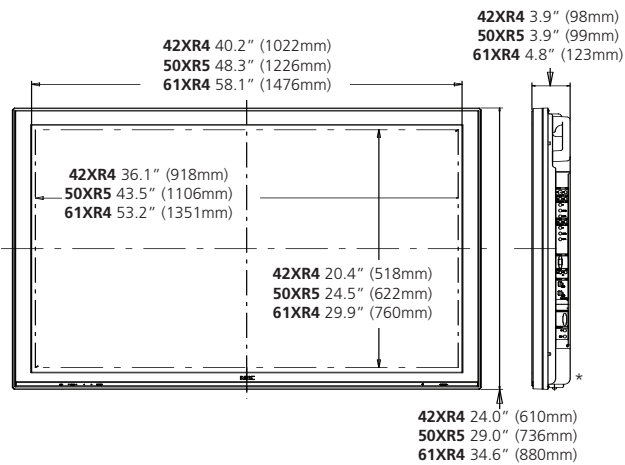
## TOUGH ENOUGH FOR EVEN THE MOST DEMANDING HOUSEHOLDS.

- **60,000 Half-Life** provides 20+ years at 8 hours a day viewing before reaching half the original brightness.
- **Unsurpassed product reliability and service.** Ranked #1 according to PAC Media Associates 2004 Annual Resellers Survey.
- **Low Power Consumption and environmentally friendly.** Provides a large display that is environmentally friendly consuming as little as 305W.
- **AccuShield Phosphor Protection system** provides a comprehensive toolset to safeguard the display from possible image retention.



Because It's Your Image

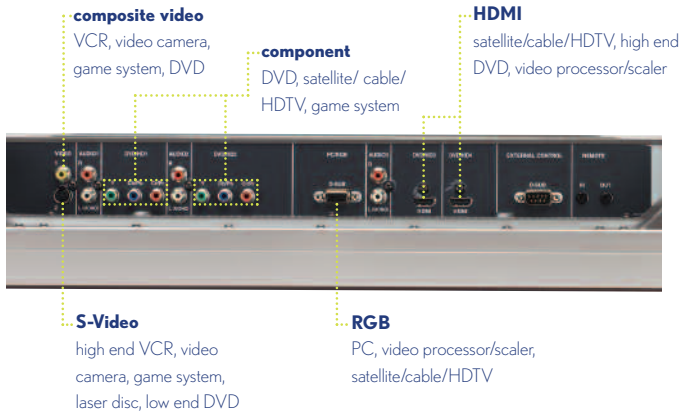
NEC



\*42XR4 input panel located at the bottom of the unit.

## UNIQUE FEATURES

Advanced AccuBlend	Ensures detailed images when non-native resolution sources are connected to the projector.
Phosphor Protection	6 modes - A comprehensive set of built-in modes protects your screen from image retention.
Enhanced Mass Area Superior Sampling (Enhanced MASS)	Eliminates jagged lines, removes color separation, smoothes jagged lines and improves detail for crystal clear images.
Capsulated Color Filter™ (CCF) technology	CCF delivers realistic color reproduction creating the greatest color space when plotted on the C.I.E. Chromaticity chart. (50XR5, 61XR4)
AccuCrimson™ Filter technology	Further enhances the effects of the CCF producing better reds and greens. (50XR5, 61XR4)
Color Tune Technology	Adjust individual colors without affecting white balance.
Gamma 12	Provides the highest color processing in a plasma display at 68.7 billion colors (4096 steps) resulting in increased detail never seen before... no matter what the viewing environment!
Crystal Clear Panel/Drive	Provides technology to improve brightness 130% and contrast 100% over previous models and also removes false contouring (42XR4 only).
Bonded Color Filter	Improves color, bright room contrast and sharpness while reducing the multiple image reflections possible with traditional filter technologies (42XR4 only).
Enhanced Split Screen	Yes
Closed captioning	Yes



For more information, call 1.800.NEC.INFO or visit [www.necvisualsystems.com](http://www.necvisualsystems.com)

NEC is a registered trademark of NEC Corporation. All other trademarks are the property of their respective owners. All specifications subject to change without notice.

NEC Solutions (America), Inc.  
 Visual Systems Division  
 1250 Arlington Heights Rd., Suite 400  
 Itasca, IL 60143-1248

# Showcase Series™

## 42XR4, 50XR5 and 61XR4 digital plasma displays.

### PLASMA MODULE

Screen Size (Diagonal)	PX-42XR4A	42"
	PX-50XR5A	50"
	PX-61XR4A	61"
Screen Aspect Ratio	16 to 9	
Active Screen Area	PX-42XR4A	36.1 x 20.4 in, 918 x 518 mm
	PX-50XR5A	43.5 x 24.5 in, 1106 x 622 mm
	PX-61XR4A	53.2 x 29.9 in, 1351 x 760 mm
Native Resolution	PX-42XR4A	XGA 1024 x 768
	PX-50XR5A	WXGA 1365 x 768
	PX-61XR4A	WXGA 1365 x 768
Pixel Pitch	PX-42XR4A	0.900mm x 0.671mm
	PX-50XR5A	0.81mm x 0.81mm
	PX-61XR4A	0.99mm x 0.99mm
Color Processing	68.7 billion colors, 4096 levels	
Viewing Angle	160°	
Half Life	60,000 hours	
Filter Type	Anti-reflective	

### SIGNAL COMPATIBILITY/CONNECTIVITY

Scan Rate	Horizontal	15.5 to 110.0 kHz auto, step scan
	Vertical	51 to 120 Hz auto, step scan
Supported Video Standards	PAL, SECAM, 3.58/4.43 NTSC, ATSC	
SD/HD Video Signal Compatibility	480i, 480p, 525i, 525p, 540p, 625i, 625p, 720p, 1035i, 1080i, 1080p	
PC Signal Compatibility	VGA, SVGA, XGA, SXGA, UXGA, WideVGA (848x480, 852x480), WideXGA (1360x768)	
Macintosh Compatibility	Yes	
Input/Output Terminals	RGB 1 (analog)	15-pin mini D-sub
	Video 1	Composite BNC x 1
	Video 2	Composite RCA x 2
	Video 3	S-Video 4-Pin DIN
	HD Video 1	1 set RCA Component (Y,Pb,Pr/Y,Cb,Cr)
	HD Video 2	1 set RCA Component (Y,Pb,Pr/Y,Cb,Cr)
	HD Video 3	Digital HDMI with HDCP
	HD Video 4	Digital HDMI with HDCP
	Audio	3 sets RCA stereo + external speaker jacks
Audio	Internal amplifier, 8W x 2 output power (42XR4), 9W X 2 output power (50XR5 & 61XR4)	
External Control	RS232, IR (IR loopthrough)	

### ELECTRICAL

Power Requirements	120-240V 50/60 Hz	
Power Consumption	PX-42XR4A	305W Typical
	PX-50XR5A	435W Typical
	PX-61XR4A	540W Typical
Standby Power	0.9W	

### MECHANICAL

Dimensions (WxHxD)	PX-42XR4A	40.2 x 24.0 x 3.9 in, 1022 x 610 x 98mm
	PX-50XR5A	48.3 x 29.0 x 3.9 in, 1226 x 736 x 99mm
	PX-61XR4A	58.1 x 34.6 x 4.8 in, 1476 x 880 x 123mm
Net Weight	PX-42XR4A	59.5 lbs., 27.6 kg
	PX-50XR5A	97.9 lbs., 44.5 kg
	PX-61XR4A	134.2 lbs., 61.0 kg
Regulations	Regulatory FCC Class B, UL6500, CSA60065	
Fan Noise	PX-42XR4A	59.5 lbs., 27.6 kg
	PX-50XR5A	20dB
	PX-61XR4A	22dB

### ENVIRONMENTAL

Operating Temperature	32° - 104° F (0° - 40° C)	
Operating Humidity	20 - 80%	
Operating Altitude	0 - 9180 feet (0 - 2800m)	
Storage Temperature	14 - 122° F (-10 - 50° C)	
Storage Humidity	10 - 90%	
Storage Altitude	0 to 9840 feet (0 - 3000m)	

### WARRANTY

3 Years Parts & Labor/1 year plasma module

### IN THE BOX

AC Power Cord, User Manual, Remote Control, Batteries, Cable Clamps

Because It's your Image

NEC